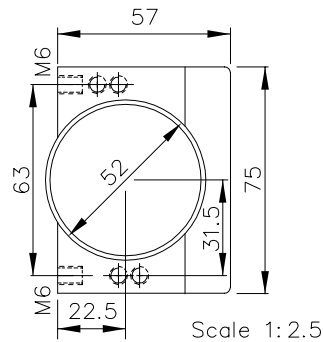
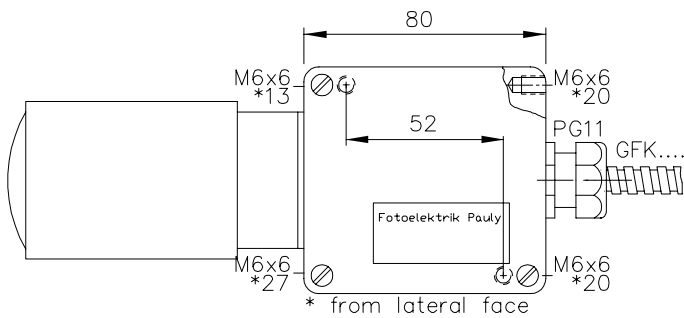
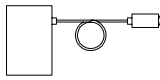


High-Level Ancillary Optic for Fibre optic Cable Connection Type At-GFK




bis 200°C High-Level Ancillary Optic for Fibre Optic Cable Connection
At-GFK
Order no.: 8161

Application:

The fibre optical element At-GFK serves in connection with a fibre optic cable type GFK and a suitable control unit as an "optical extension" with whose aid the light barrier functions can be effected in the higher temperatures range.

Technical Characteristics:

Housing Al-cast
 Weight approx. 900g
 Protection mode IP65
 Ambient temperature -50...+200°C

Special version:

Hole or slot diaphragms at the light beam entrance (exit) of fibre cable

If using cooling water flange, then milled wall, y

Accessories:

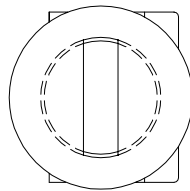
Fibre optic cable GFK...
 Controllers e.g.: PP5522
 PP2009GFK
 JP(U/V)103GFK
 TRI143...GFK

At-GFK.. *01:

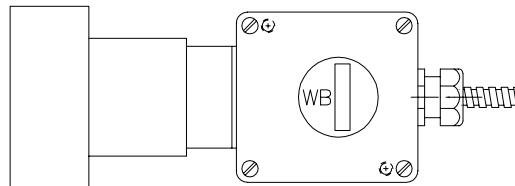
A restricted cross section of the light beam enables this modification to a high accuracy with a good reproducibility. The cross section of the light beam amounts to 15x60mm in a distance of 2m. By means of the diaphragm in the front of the lens the 15mm-width is constant in a distance between 0 and 2m.

Optic Accessories:

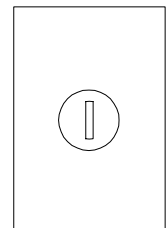
Heavy adjustment flange R26SH
 Cooling water flange KW25
 Diaphragms
 Special filter
 Anti dust tube



Diaphragm adapter for lens (ø=80, H=53mm) with horizontal slot
 Diaphragm 15x50mm



Scale 1:3.3



Transducer bench (WB, Scale 1:1) with horizontal slot
 Diaphragm 1x4mm

8161 DE 21.02.05 m.j
 E_8161_1
 (14.02.88 jp)
 (24.06.02 fb)