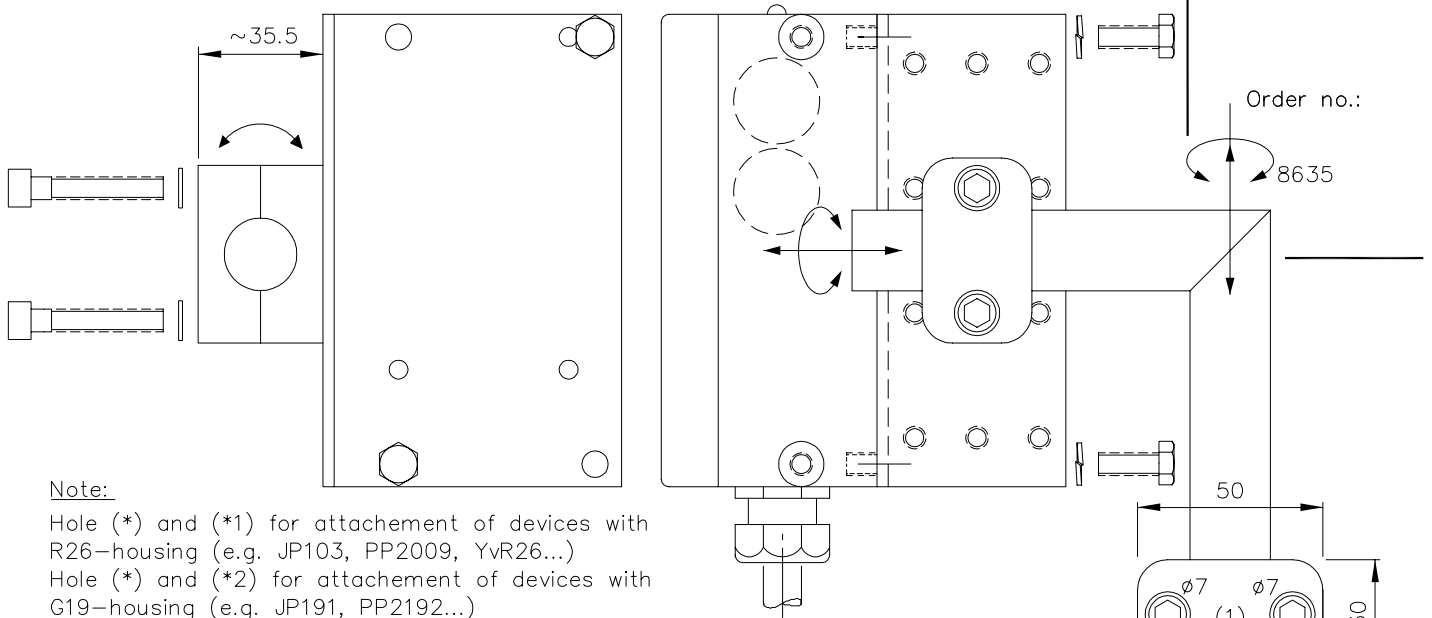
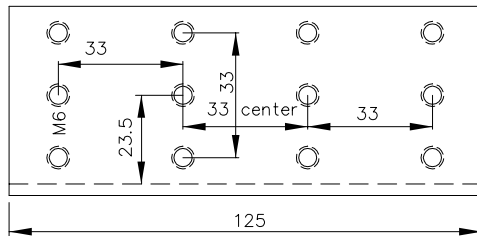
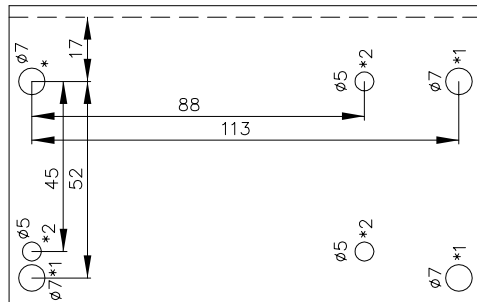


Adapter for G19 & R26 Type AD26SS2

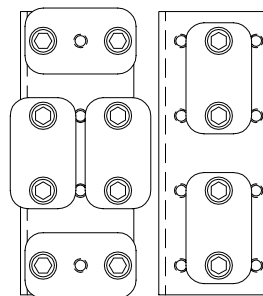


Note:

Hole (*) and (*1) for attachment of devices with R26-housing (e.g. JP103, PP2009, YvR26...)
 Hole (*) and (*2) for attachment of devices with G19-housing (e.g. JP191, PP2192...)

Parts List:

- Half clamp terminal "Stauff" size III/21.3 /Al (1) and Elbow tube $\varnothing 21.3 \times 110 \times 155 \text{ mm}$ (2)
- 2 Screws M6x35 Inbus (with hexagon socket head cap), 2 plain washer 10.5x6.5x1, 2 Hexagon head screws M6x16
- 2 Lock washer $\varnothing 6.5$



Scale: 1:3.3

Scale: 1:2

8635 DE
 8635 1
 (19.12.02. qs)
 21.02.05 mj