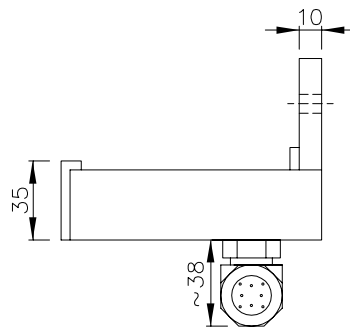


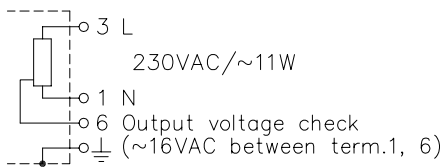
Reflector for Cranes, heatable, Type 7R50LH



Technical characteristics:

Housing	AL, anodized
Weight	approx. 3kg
Protection mode	IP65
Connection	7+1-pin Plug, stE8, forced "grounded"
Supply	230VAC
Heating capacity	approx. 11W
Duty cycle	100%
Ambient temperatur	-30...+65°C

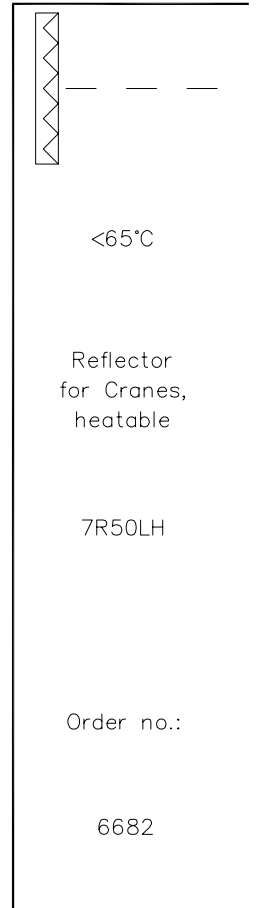
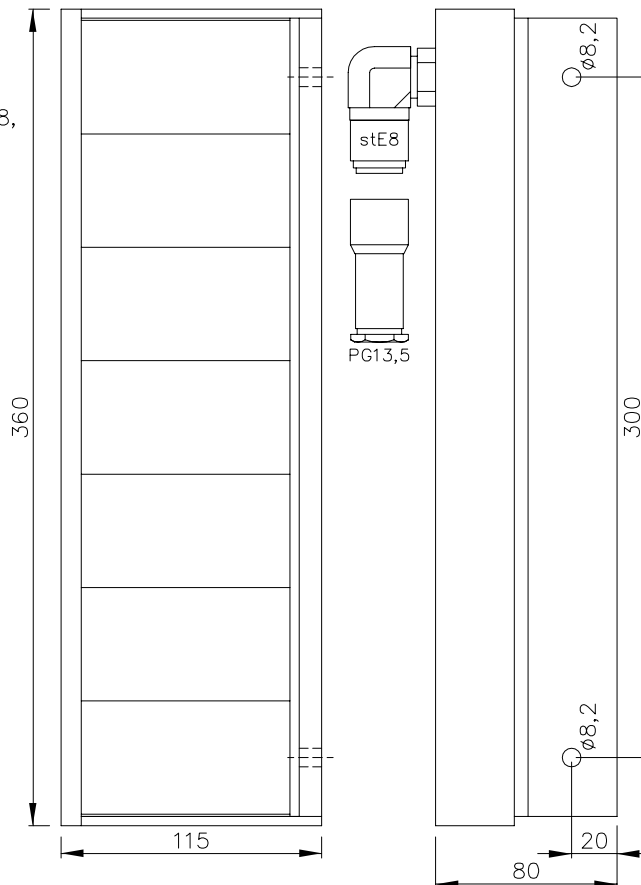
Connection diagramm:



Note:

Between connection 1 and 6 there is a drop of approx. 16VAC. Thus, for example, a monitoring circuit for the heater can be realised by means of a suitably wired optocoupler.

D_6682 1, TXT



Scale 1:3,3
All dimensions in mm!