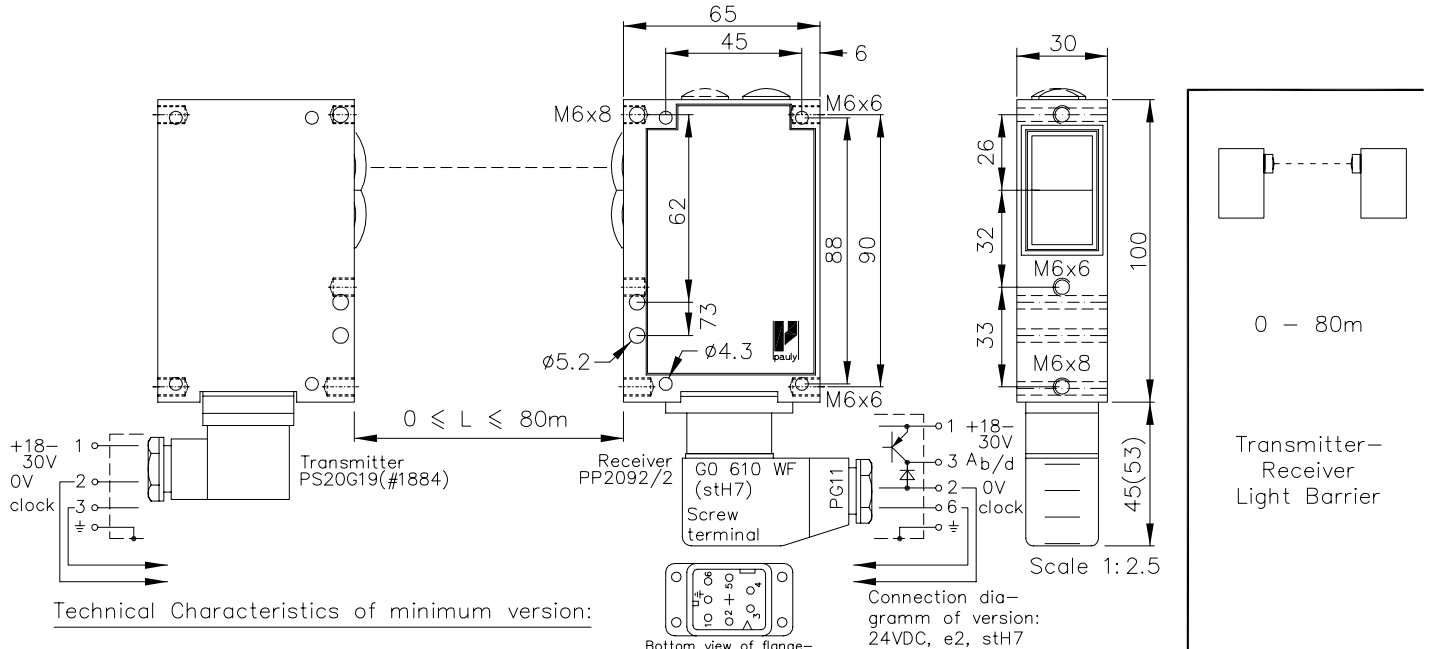


Transmitter-Receiver Light Barrier Type PP2092/2



Technical Characteristics of minimum version:

Housing	Al-Cast
Weight	2x approx. 350g
Protection mode	IP65
Connection	Receiver: 6+1 pin Plug stH7 Transmitter: 3+1 pin Plug stH4
Supply	Receiver: 24VDC/20mA without load Transmitter: 24VDC/50mA
Output	pnp 60mA s.-c.-prot., e2
Signal mode	bright/dark, selectable
Transmitter light	LED 880nm (invisible)
Steady light resistance	>80kLx
Interference suppression	forced synchronisation
Light beam diameter	approx. 2500mm/20m
Access time	<12ms/switching transition
Switching rate	40/s, Relay: 10/s
Switch indicator	LED green (Receiver)
Working indicator	LED red (Transmitter)
Ambient temperature	-30...+80°C (100°C*)

Bottom view of flange-type socket with pins

Features:

Connection	4 pin Plug stLU4 4+1 pin Plug stA5 6+1 pin Plug stA7 6+1 pin Plug stH7 4+1 wire No.-Cable K5 2x3 wire No.-Cable 2K3 different supply on request
Supply	nnp 60mA s.-c.-prot., e3 Optocoupler 60V/50mA, e1 Relay 240VAC/5A, 120W/1200VA, 1xCh., R also: 2xe2/2xe3 or antival. e4/e5
Output	"q": <2ms/Switch transition "q": electr.: 300/s, Relay: 10/s 0-10s, switching-on-off-delay, separately adjustable, z10
Access time	DIANA, i
Switching rate	Heat-protected transducer system, pl
Time delay	If using cooling water flange, then milled wall, y Testable by interrupting the transmitter, ta
Level indicator	PV2092/2(#1721): Pollution warning output PU2092/2(#1722): 'intelligent' Pollution warning output

*Exceeding the temperature for a short time does not usually impair functioning

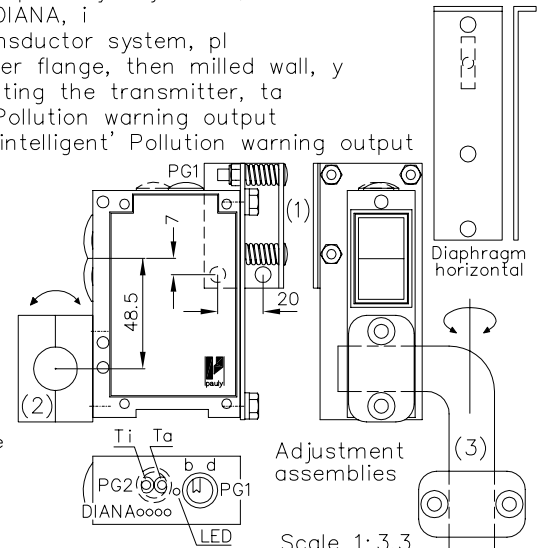
Accessories:

- Diaphragms
- Optical filters
- Adjustment flange JF19H(1)
- Elbow tube adjustment JR19(2&3)
- Cooling water flange KW19
- Anti heat shield & anti dust tube (K)JT19

Hints:

Selection of bright/dark switching mode is standard. The selection switch can be reached after removing the blanking screw designated 'PG1'. Bright switching means that the output is operated when the transmitter light is received by the receiver. The switch indicator lights when the output is operated. The on- (Ti) and off- (Ta) delay are optional. Turning the controls behind 'PG2' clockwise increases delay times. The delay time range is between approx. 0 and 10 secs. Other delays are available on request. The level indicator 'DIANA' (Digital ANALog indicator) is optional, too. DIANA shows the level approx. 20 to 25 times above the threshold signal. For proper operation of the light barrier it is not necessary to have all DIANA LEDs on! Connecting the optional available test input to 24V will switch on, nc or 0V will interrupt the transmitter.

E_ 166x 1.TXT



1661 DE (24.06.96 tb) 17.02.05 m.j
 E_ 1661_1 (16.11.98 tb)
 (26.09.90 rb) (15.05.02 gs)
 (29.01.93 dh) (05.07.04 tb)