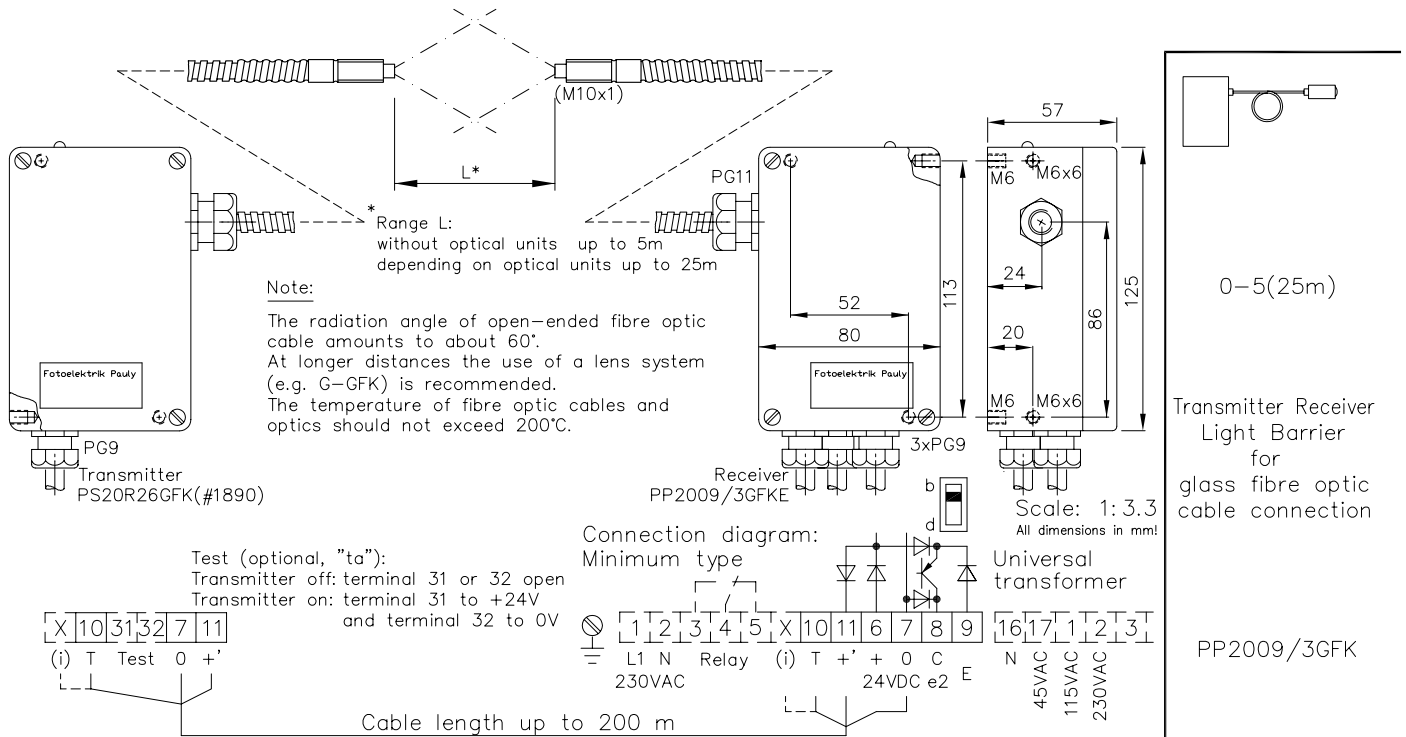


Transmitter Receiver Light Barrier Type PP2009/3GFK for Glass Fibre Optic Cable Connection



0-5(25m)

Transmitter Receiver Light Barrier for glass fibre optic cable connection

PP2009/3GFK

Order no.: 1871

Technical characteristics of minimum type:

Housing:	cast aluminium
Weight	receiver: approx. 700 g transmitter: approx. 500g
Protection mode	IP65
Connection:	terminal block
Supply	24VDC/50mA without load
Control output	pnp 60 mA, s.c.-prot. e2
Signal mode	bright/darkswitching selectable
Transmitting light	GaAs 880 nm, invisible
Steady Light Resistance	>80kLx
Interference Suppression	forced synchronization
Access Time	< 12 ms/switch transition
Switching rate	electron.: 40/s; relay 10/s
Switch indicator	LED, receiver
Working indicator	LED, transmitter
Ambient temperature	-25...+60°C

Special versions:

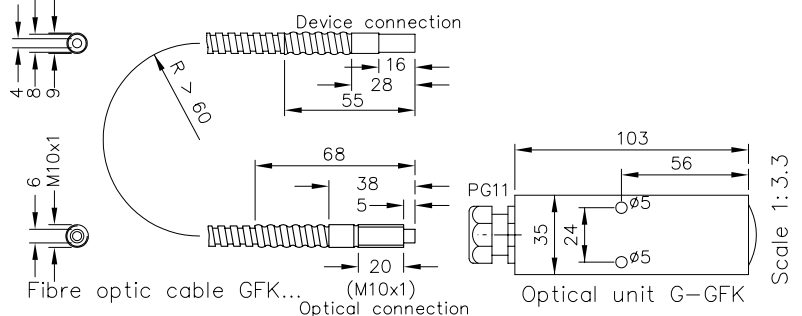
Connection	4+1-pin plug stA5 6+1-pin plug stA7 5+1-wire no. cable K6 3x3-wire no. cable 3K3
Supply	24...80VDC 230V, 110...130V, 42...48V, 24VAC or 230/115/45VAC with universal transformer
Control output	Relay 250VAC/10A, 2500VA, 1xCh, R npn 60mA s.-c.-prot., e3 Optocoupler 60V/50 mA, e1 if required, 2xe2 or 2xe3 or antival. e4 or e5
Access time	"q": <2 ms/switching transition
Switching rate	"q": 300/s, relay: 10/s
Time delay	0...10s, switching on-off-delay, separately adjustable, z10
Level indicator	DIANA, i
Level indicator for transmitter	DIANA receiver: i-i; transmitter: ii
If using cooling water flange, then milled wall, y	
PV2009/3GFK	Pollution warning output
PU2009/3GFK	'intelligent' Pollution warning output

Accessories:

- Fibre optic cable GFK...
- Optical unit A-GFK, At-GFK, E-GFK or G-GFK
- Cooling water flange KW26

Optic accessories:

- Diaphragms
- Special filters
- Adjustment flange
- Cooling water flange
- Anti-dust tubes



The design and make of the devices and their electronics are intellectual property of the company "Fotoelektrik Pauly GmbH & Co. KG". Internal circuit diagrams can, for copyright reasons, not be given therefore. Subject to technical alterations. Errors excepted. The reprinting of this data sheet or the copying of extracts from it are allowed only with the approval of the "Fotoelektrik Pauly GmbH & Co. KG" and with an indication of the sources used. Infringements are punishable by law.