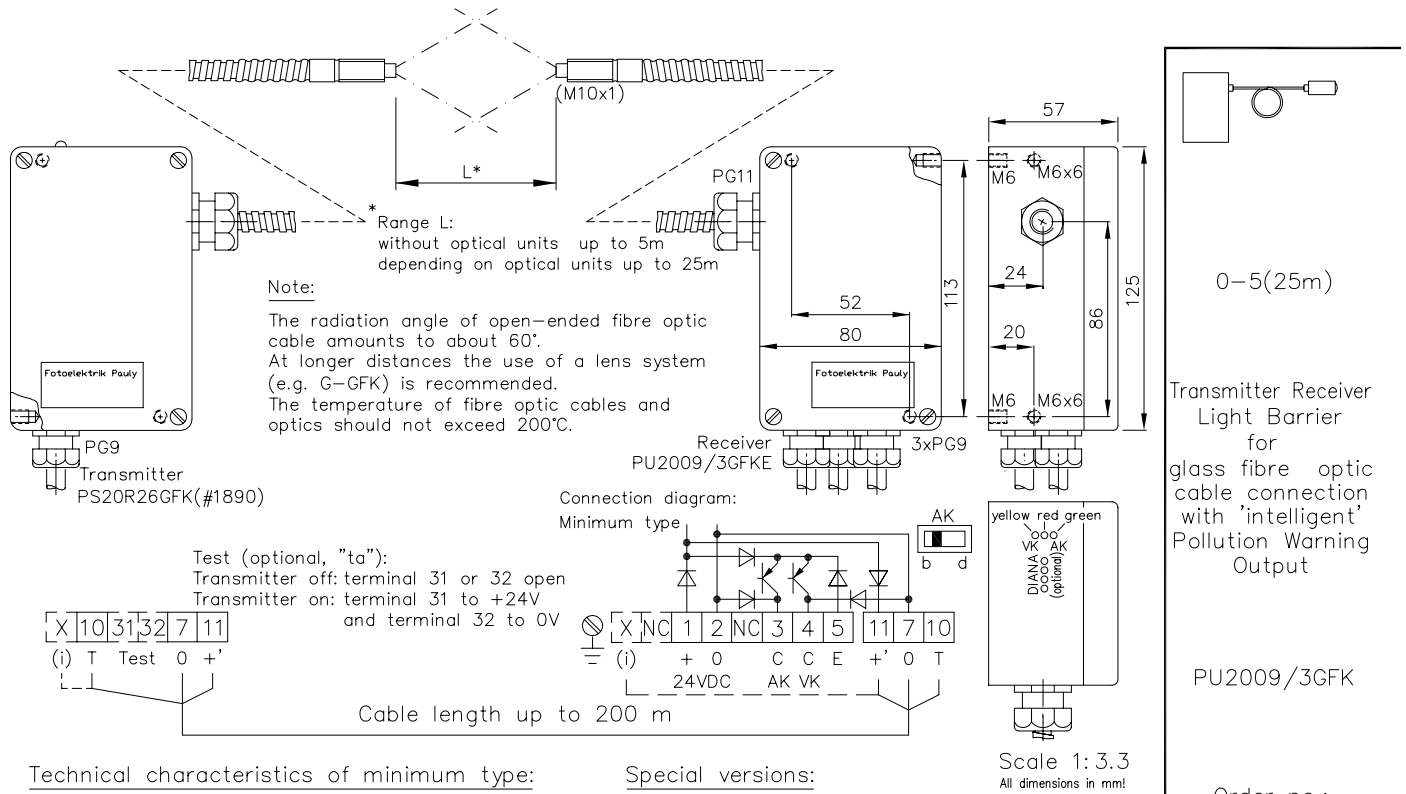


Transmitter Receiver Light Barrier Type PU2009/3GFK for Glass Fibre

Optic Cable Connection with intelligent Pollution Warning Output



0-5(25m)

Transmitter Receiver Light Barrier for glass fibre optic cable connection with 'intelligent' Pollution Warning Output

PU2009/3GFK

Order no.: 1875

Technical characteristics of minimum type:

Housing:	cast aluminium
Weight	receiver: approx. 700 g transmitter: approx. 500 g
Protection mode	IP65
Connection:	terminal block
Supply	24VDC/80mA without load
Control output	2x npn 60 mA, s.c.-prot. e2
Signal mode	bright/darkswitching selectable (AK only)
Transmitting light	GaAs 880 nm, invisible
Steady Light Resistance	>80kLx
Interference Suppression	forced synchronization
Access Time	< 12 ms/switch transition
Switching rate	electron.: 40/s; relay 10/s
Switch indicator	LED's, receiver
Working indicator	LED, transmitter
Ambient temperature	-25...+60°C

Special versions:

Connection	6+1-pin plug stA7 6+1-pin plug stH7 5+1-wire no. cable K6
Supply	24...80VDC, 230V 115VAC, 42...48V, 24VAC
Control output	2x npn 60mA s.-c.-prot., e3 2x Optocoupler 60V/50 mA, e1 2x relay 250VAC/10A, 2500VA, 1xCh, R
Access time	"q": <2 ms/switching transition
Switching rate	"q": 300/s, relay: 10/ s
Time delay	0...10s, switching on-off-delay, separately adjustable, z10
Level indicator	DIANA, i
Level indicator for transmitter	DIANA receiver: i-i; transmitter: ii
If using cooling water flange	then milled wall, y

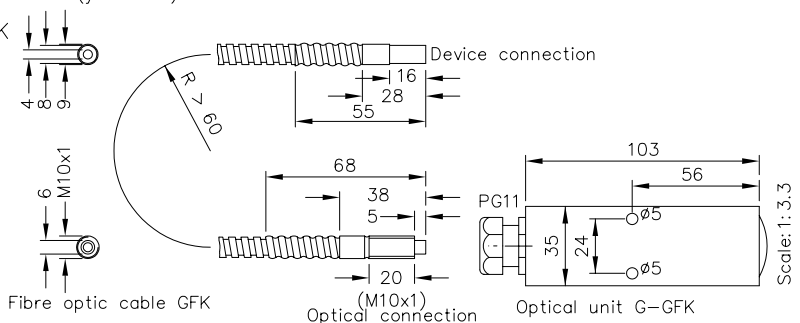
Hints: The switching equipment for the pollution warning (VK, yellow LED) is switched through when, subsequent to an interruption in light beam (red LED and the light path being free again (green LED on), dirt or clogging causes the on) signal level to be under five times the minimum level (red and green LEDs on) and the light beam is then interrupted again. At the point in time, the light barrier is still fully functional. As soon as the dirt has been removed (green LED on, red LED off), the dirt indicator (yellow LED) switches off.

Accessories:

- Fibre optic cable GFK...
- Optical unit A-GFK, At-GFK, E-GFK or G-GFK
- Cooling water flange KW26

Optic accessories:

- Diaphragms
- Special filters
- Adjustment flange
- Cooling water flange
- Anti-dust tubes



The design and make of the devices and their electronics are intellectual property of the company "Fotoelektrik Pauly GmbH & Co. KG". Internal circuit diagrams can, for copyright reasons, not be given therefore. Subject to technical alterations. Errors excepted. The reprinting of this data sheet or the copying of extracts from it are allowed only with the approval of the "Fotoelektrik Pauly GmbH & Co. KG" and with an indication of the sources used. Infringements are punishable by law.