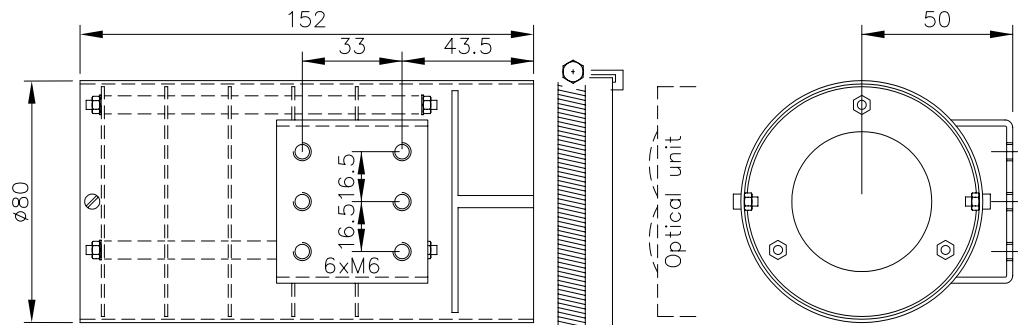
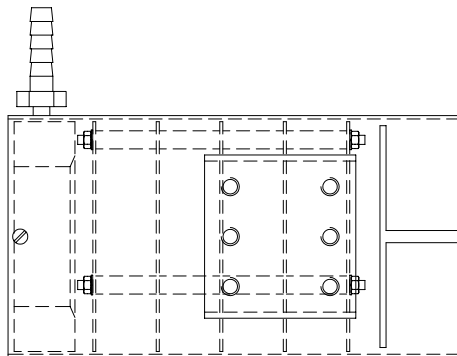


Anti Dust Tube with Adjustment Assembly "Stauff" Type TUB75*01



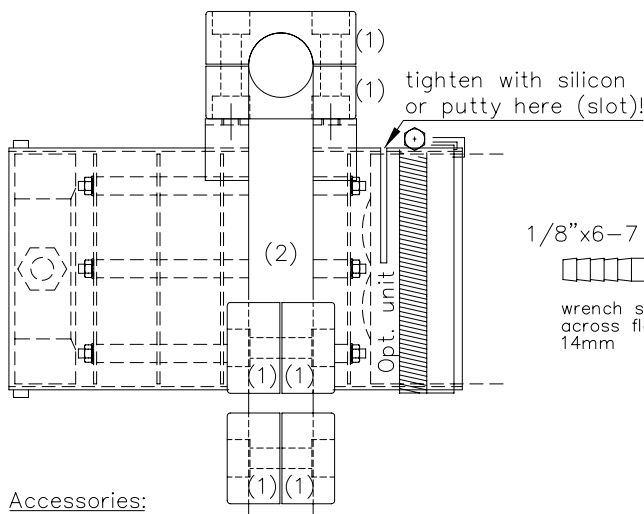
Anti Dust Tube TUB75*01



Optional:

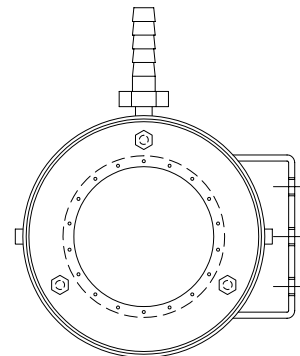
Compressed air connecting, Luft2:

- Overpressure of purging air 30...100mbar
- Purging air consumption 5...10m³/h at 25°C purging air temperature
- max. air pressure: 2,0 bar
- Connection for air hose with inside diameter 7mm



Accessories:

- 8 Half clamp terminal "Stauff" size III/21.3 (1)
- 1 elbow tube 100x150mm, Ø21.3mm, steel, chromated (2)
- 4 Screws M6x40 Inbus (with hexagon socket head cap), steel, galvanized, DIN912
- 4 Plain washer Ø6.5, steel, galvanized, DIN126
- 4 Lock washer Ø6.5, steel, galvanized, DIN127B



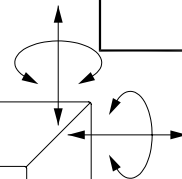
Z

Anti Dust Tube
with Adjustment
Assembly "Stauff"

TUB75*01

Order no.:

8541M01



Scale 1:2:5