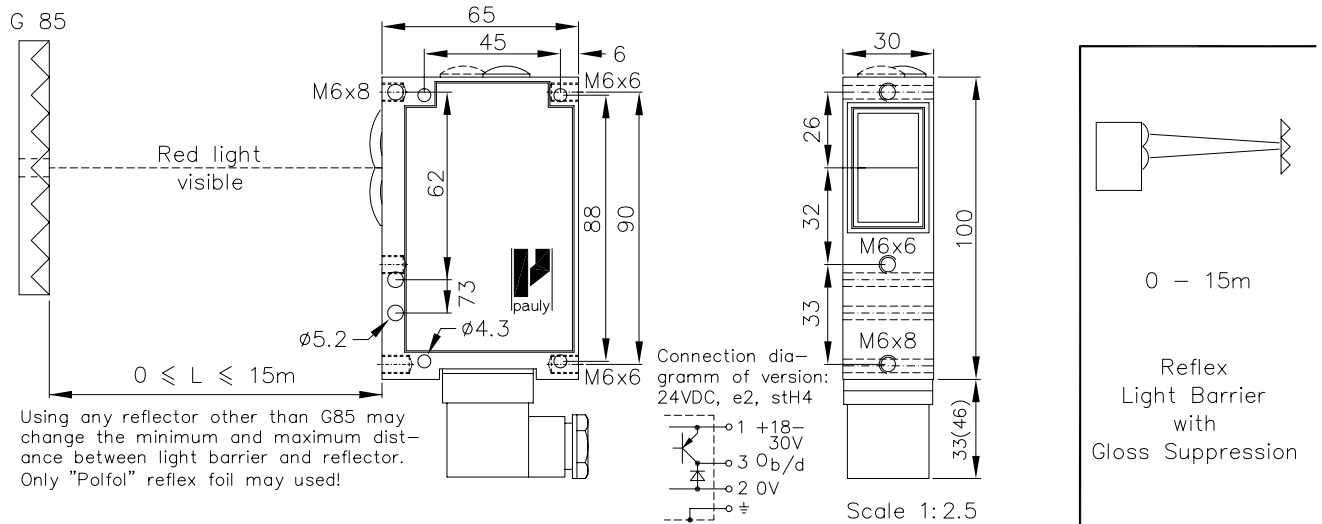
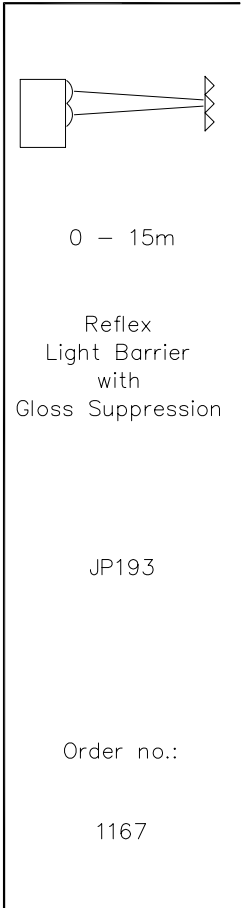
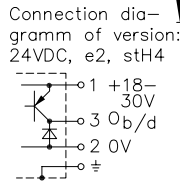


Red-Light Reflex Light Barrier Type JP193 with Gloss Suppression



Using any reflector other than G85 may change the minimum and maximum distance between light barrier and reflector. Only "Polfol" reflex foil may used!



Technical characteristics of minimum type:

Housing	Al-Cast	Features:	
Weight	approx. 350g	Connection	4 pin Plug stLU4 4+1 pin Plug stA5 6+1 pin Plug stA7 6+1 pin Plug stH7 3+1 wire No.-Cable K4 2x3 wire No.-Cable 2K3
Protection mode	IP65	Supply	230V, 115V, 42...48V, 24VAC
Connection	3+1 pin Plug stH4	Output	nnp 60mA s.c.-prot., e2 Optocoupler 60V/50mA, e1 Relay 240VAC/5A, 120W/1200VA, 1xCh, R
Supply	24VDC/40mA without load	Access time	"q": <2ms/Switch transition
Output	pnp 60mA s.c.-prot., e2	Switching rate	"q": 300/s, Relay: 10/s
Signal mode	bright/dark, selectable	Time delay	0-10s, switching-on-off-delay, separately adjustable, z10
Transmitter light	LED 650nm	Level indicator	DIANA, i
Steady light resistance	>80kLx	Heat-protected optical system, pl	
Interference suppress.	Force synchronization	If using cooling water flange, then milled wall, y	
Gloss suppression	Polarized light	Testable by turning off transmitter, ta	
Light beam diameter	approx. 85mm/6m	Dynamic time delay, dyn Z	
Access time	<12ms/Switch transition	JV19.. (#107.): Pollution warning output	
Switching rate	40/s, Relay: 10/s	JU19.. (#106.): 'intelligent' Pollution warning output	
Switch indicator	LED		
Ambient temperatur	-30...+80°C (100°C*)		

*Exceeding the temperature for a short time does not usually impair functioning

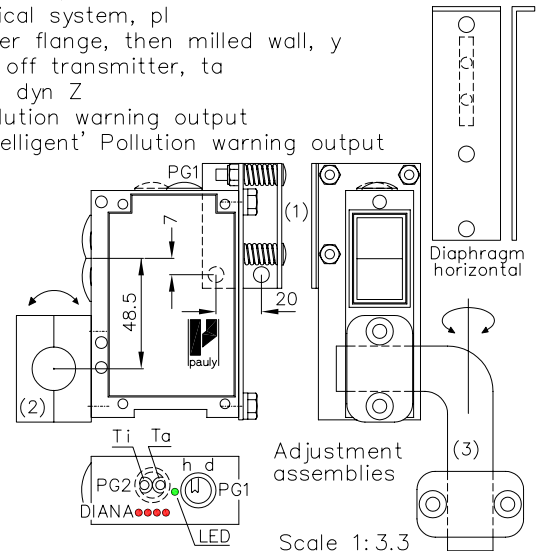
Accessories:

- Reflectors
- Diaphragms, Optical filters
- Adjustment flange JF19H(1)
- Elbow tube adjustment JR19(2&3)
- Cooling water flange KW19
- Anti heat shield & anti dust tube (K)JT19

Hints:

Selection of bright/dark switching mode is standard. The selection switch can be reached after removing the blanking screw designated 'PG1'. Bright switching means that the output (here the pnp transistor) is operated when the transmitter light is received by the receiver after being reflected by the reflector. The switch indicator LED (green) for the working contact always lights when the output is energised. The on- (Ti) and off- (Ta) delay are optional. Turning the controls behind 'PG2' clockwise increases delay times. The delay time range is between approx. 0 and 10 secs. Other delays are available on request. 1sec, 3secs and 10secs.

The level indicator 'DIANA' (Digital ANAlog indicator) is optional, too. DIANA shows the level approx. 20 to 25 times above the threshold signal. For proper operation of the light barrier it is not necessary to have all DIANA LEDs on! *E_ 166x 1.TXT*



1167 DE (13.01.03 gs)
E_ 1167 1 (18.02.05 ml)
(26.01.96 tb) 14.06.05 tb
(27.10.98 tb)