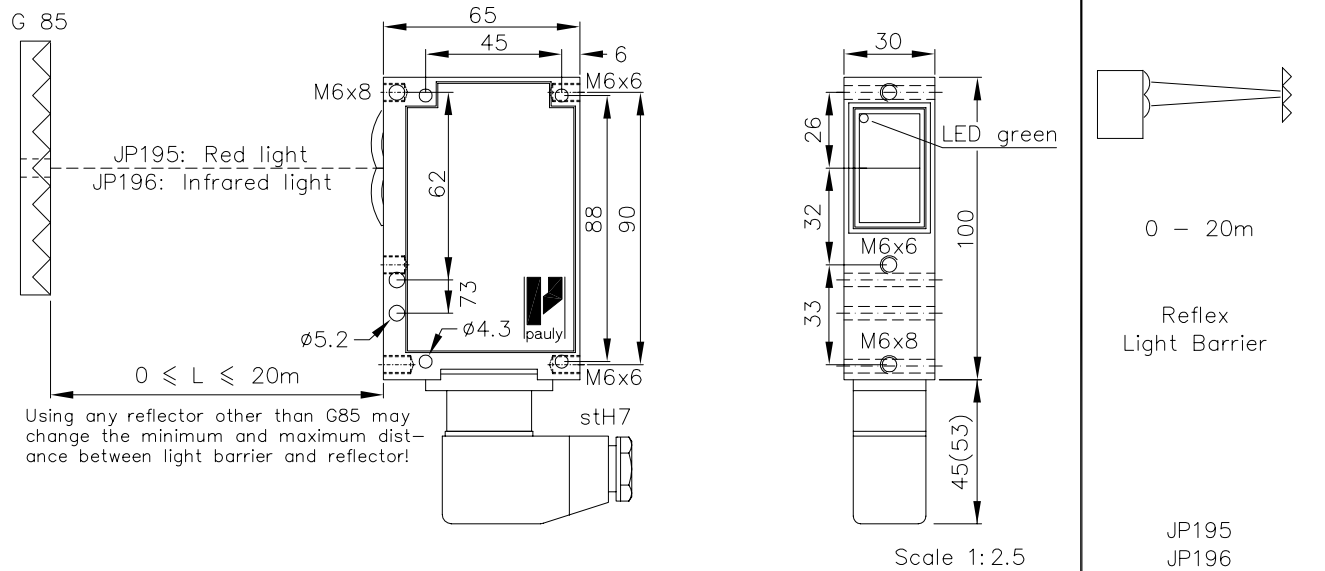


(Infra-)Red-Light Reflex Light Barrier Types JP195 & JP196

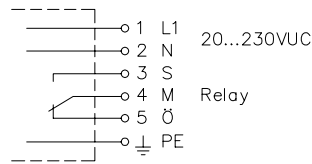


Technical characteristics of minimum type:

Housing	Al-Cast
Weight	approx. 350g
Protection mode	IP65
Connection	6+1 pin plug stH7
Supply	20...230VUC/~2VA
Output	Relais 240VAC/5A, 120W/1200VA, 1xCh.
Signal mode	brightswitching
Transmitter light	JP195: LED 650nm (visible) JP196: LED 880nm (invisible)
Steady light resistance	>80kLx
Interference suppress.	Force synchronization
Light beam diameter	approx. 85mm/6m
Access time	<12ms/Switch transition
Switching rate	~10/s
Switch indicator	LED green
Ambient temperatur	-30...+65°C (90°C*)

*Exceeding the temperature for a short time does not usually impair functioning

Connection diagramm:



Order no.:

1041
1042

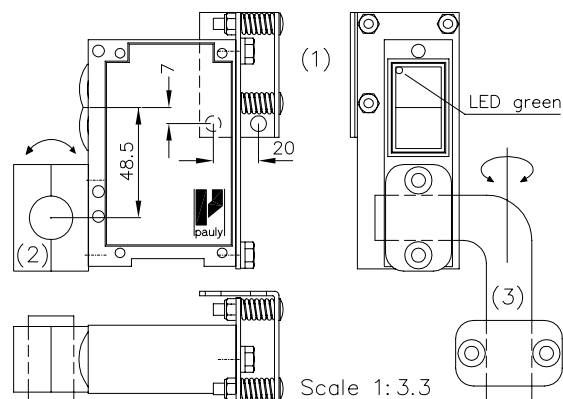
Features:

Signal mode darkswitching

Accessories:

- Reflectors
- Diaphragm
- Adjustment flange JF19H(1)
- Elbow tube adjustment JR19(2&3)
- Anti heat shield & anti dust tube (K)JT19

Adjustment assemblies:



Diaphragm:

