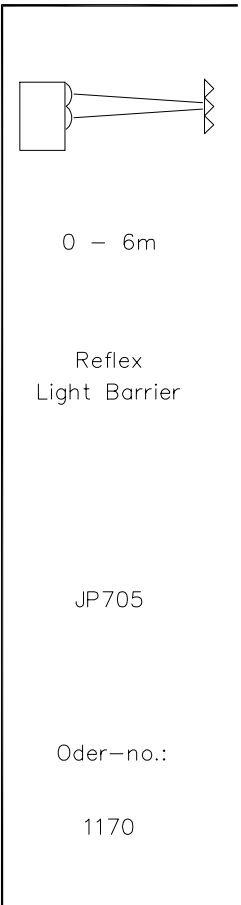
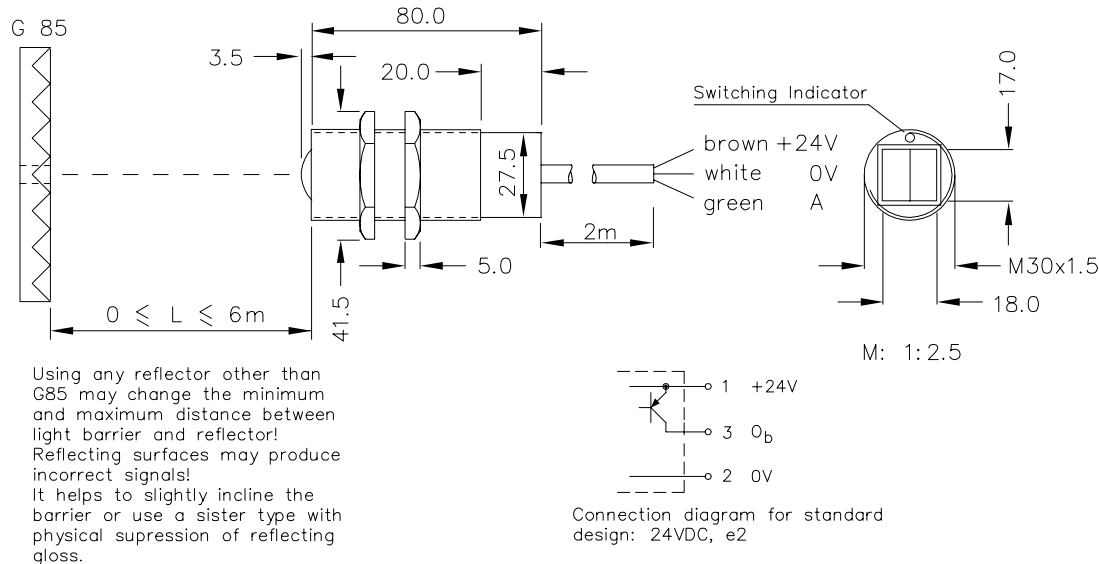


Reflex Light Barrier Type JP705 e2



Technical characteristics:

Housing	brass, nickel-plated
Housing dimensions	M30x1.5x80
Weight	approx. 350g
Protection mode	IP65
Connection	3-core cable, 3x0.5mm ²
Supply	24VDC/40mA ±20%
	protected against polarity reversal
Output	npn 60mA, s.c.-prot., e2
Signal Mode	brightswitching
Transmitter Light	GaAs 880 invisible
Steady Light Resist.	>80kLx
Interference Suppressor	forced synchronization
Access time	<12ms/switch transition
Switching rate	40/s
Switch indicator	LED
Ambient temperature	-25...+60°C

Special Design:

Output	npn 60mA s.c.-prot., e3
Access time	"q": <2ms/switch transition
Switching rate	"q": 300/s, relay: 10/s
Signal mode	darkswitching