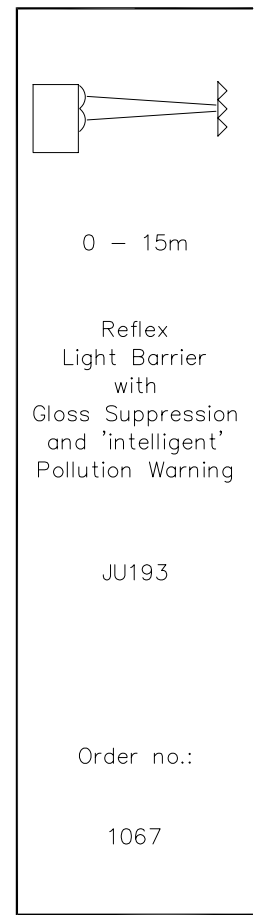
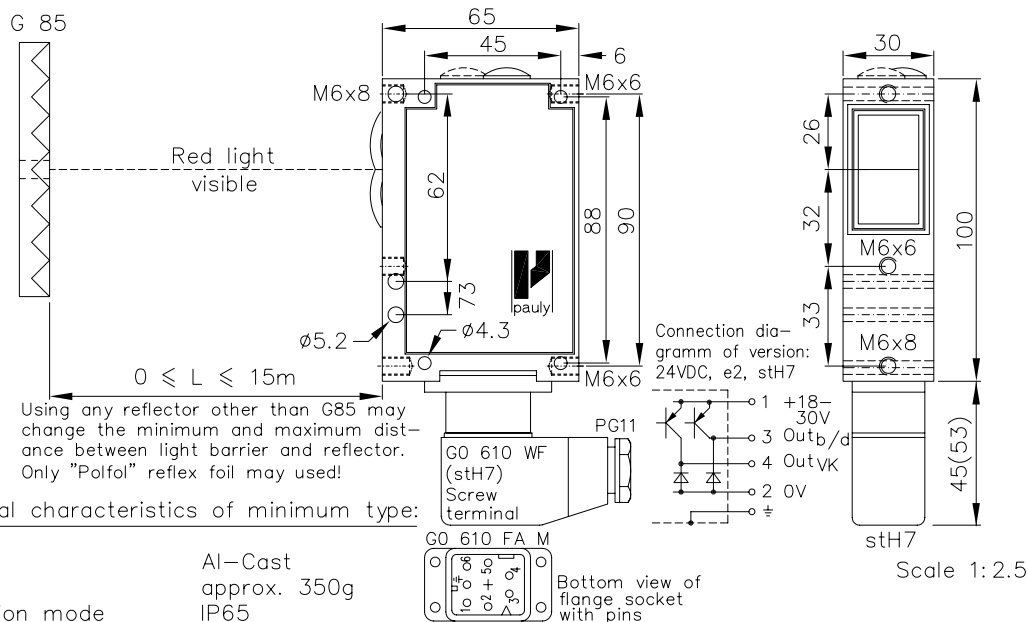


Red-Light Reflex Light Barrier Type JU193 with Gloss Suppression & 'intelligent' Pollution Warning



Technical characteristics of minimum type:

Housing	Al-Cast
Weight	approx. 350g
Protection mode	IP65
Connection	6+1 pin Plug stH7
Supply	24VDC/70mA without load
Output	2xnpn 60mA s.c.-prot. e2
Signal mode	bright/dark selectable
Transmitter light	LED 650nm
Steady light resistance	>80kLx
Interference suppress.	Force synchronization
Gloss suppression	Polarized light
Light beam dia.	approx. 85mm/6m
Access time	<12ms/Switch transition
Switching rate	40/s
Switch indicator	LED's green, yellow, red
Ambient temperatur	-30...+80°C (100°C*)

Features:

Connection	4 pin Plug stLU4 4+1 pin Plug stA5 6+1 pin Plug stA7 5+1 wire No.-Cable K6 2x3 wire No.-Cable 2K3 npn 60mA s.c.-prot.,e2 Optocoupler 60V/50mA,e1
Output	"q": <2ms/Switch transition "q": 300/s separately adjustable, z10 separately adjustable, z10 (only AK)
Access time	
Switching rate	
Time delay	

Accessories:

- Reflector
- Diaphragms, Optical filters
- Adjustment flange JF19H(1)
- Elbow tube adjustment JR19(2&3)
- Cooling water flange KW19
- Anti heat shield & anti dust tube (K)JT19

Hints:

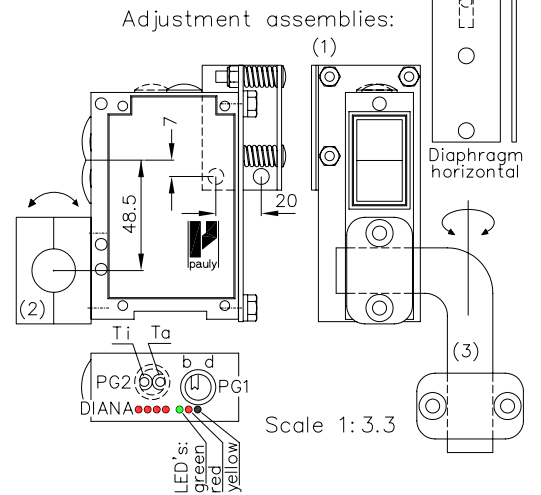
The bright-dark switching is standard. This switch is accessible by removing the blanking screw designated PG1. Switching to bright means that the output circuit of the main contact element (AK, here the npn transistor) is operated when the light emitted from the transmitter reaches the receiver after being reflected by the reflector. The switching indicator - LED (green) - for the main contact element always lights up when the light path is free.

The switching equipment for the pollution warning (VK, yellow LED) is switched through when, subsequent to an interruption in light beam (red LED on) and the light path being free again (green LED on), dirt or clogging causes the signal level to be under five times the minimum level (red and green LEDs on) and the light beam is then interrupted again. At this moment, the light barrier is still fully functional. As soon as the dirt has been removed (green LED on, red LED off), the dirt indicator (yellow LED) switches off.

The turn-on (Ti) and turn-off delay (Ta) for the main contact element is available on request. The delay times increase by adjusting the potentiometer located under the PG2 screw in a clockwise direction. The adjustable time range is between approx. 0 and approx. 10 seconds. Other delays are available on request: 1 sec., 3 sec. and 20 sec.

The level indicator "DIANA" (Digital ANalog Anzeige - digital analog indicator) is also optional. DIANA indicates approximately 20-fold to 25-fold levels above the response threshold. It is not necessary for all DIANA LEDs to light up in order for the light barrier to function perfectly!

E_ 106x 1.TXT



1067 DE (18.02.05 mi)
E_ 1067 1 19.09.05 tb
(16.10.98 tb)
(13.01.03 gs)