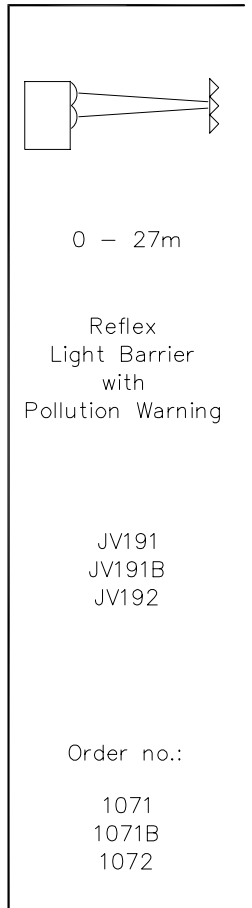
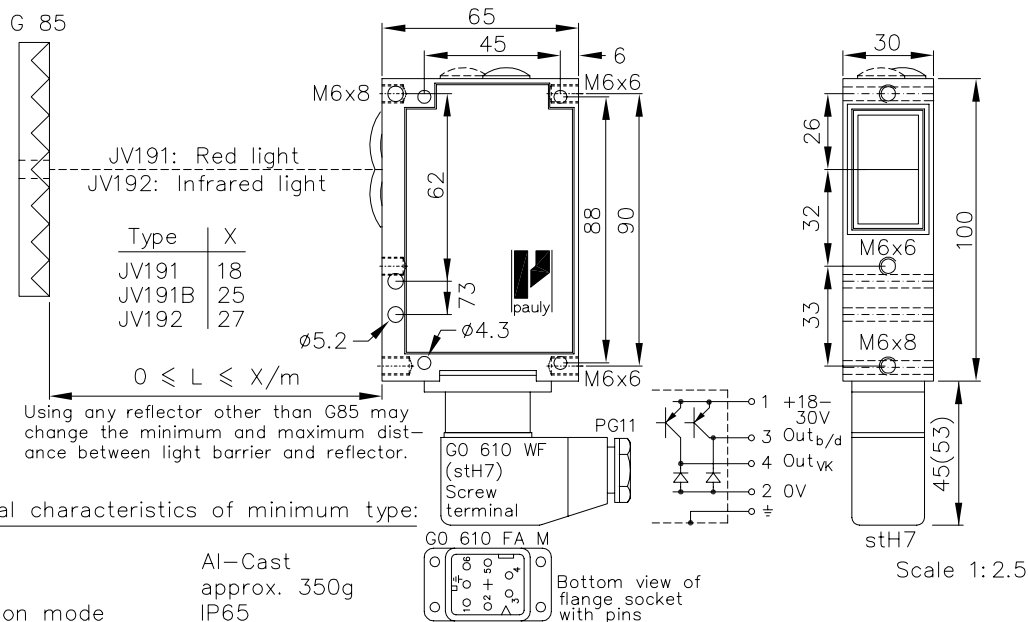


(Infra-)Red-Light Reflex Light Barrier Types JV191(B) & JV192 with Pollution Warning Output



Housing: Al-Cast
Weight: approx. 350g
Protection mode: IP65
Connection: 6+1 pin Plug stH7
Supply: 24VDC/70mA without load
Output: 2xnpn 60mA s.c.-prot.
Signal mode: bright/dark selectable
Transmitter light JV191: LED 650nm
JV192: LED 880nm

Features:

Connection: 4 pin Plug stLU4
4+1 pin Plug stA5
6+1 pin Plug stA7
5+1 wire No.-Cable K6
2x3 wire No.-Cable 2K3
npn 60mA s.c.-prot.,e2
Optocoupler 60V/50mA,e1
"q": <2ms/Switch transition
"d": 300/s
0-10s, switching-on-off-delay, separately adjustable, z10 (only AK)

Level indicator: DIANA, i
Heat-protected optical system, pl
If using cooling water flange, then milled wall, y

Accessories:

Reflector
Diaphragms, Optical filters
Adjustment flange JF19H(1)
Elbow tube adjustment JR19(2&3)
Cooling water flange KW19
Anti heat shield & anti dust tube (K)JT19

Hints:

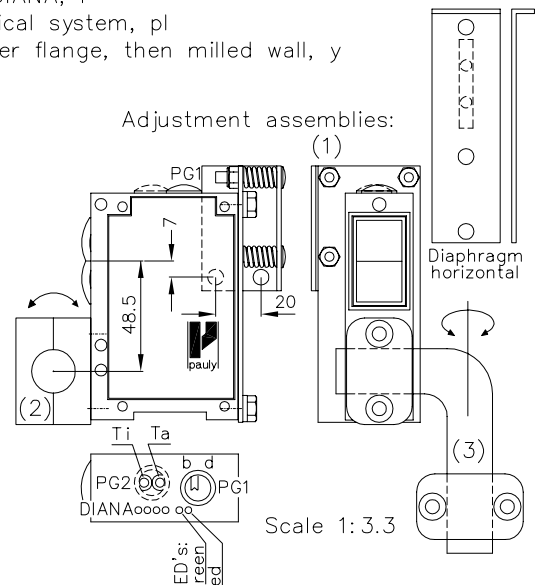
The bright-dark switching is standard. This switch is accessible by removing the blanking screw designated PG1. Switching to bright means that the output circuit of the main contact element (AK, here the npn transistor) is operated when the light emitted from the transmitter reaches the receiver after being reflected by the reflector. The switching indicator - LED (green) - for the main contact element always lights up when the light path is free.

The switching equipment for the pollution warning (VK, red LED) is switched through when dirt or clogging causes the signal level to be under five times the minimum level.

The turn-on (Ti) and turn-off delay (Ta) for the main contact element is available on request. The delay times increase by adjusting the potentiometer located under the PG2 screw in a clockwise direction. The adjustable time range is between approx. 0 and approx. 10 seconds. Alternatively, the following delays are available on request: 1 sec., 3 sec. and 20 sec.

The level indicator "DIANA" (Digital Analoge Anzeige - digital analog indicator) is also optional. DIANA indicates approximately 20-fold to 25-fold levels above the response threshold. It is not necessary for all DIANA LEDs to light up in order for the light barrier to function perfectly!

EC 107x 1.TXT



1071 DE (18.02.05 mjl)
E_1071 1 (16.10.98 tb)
(13.01.03 gs)