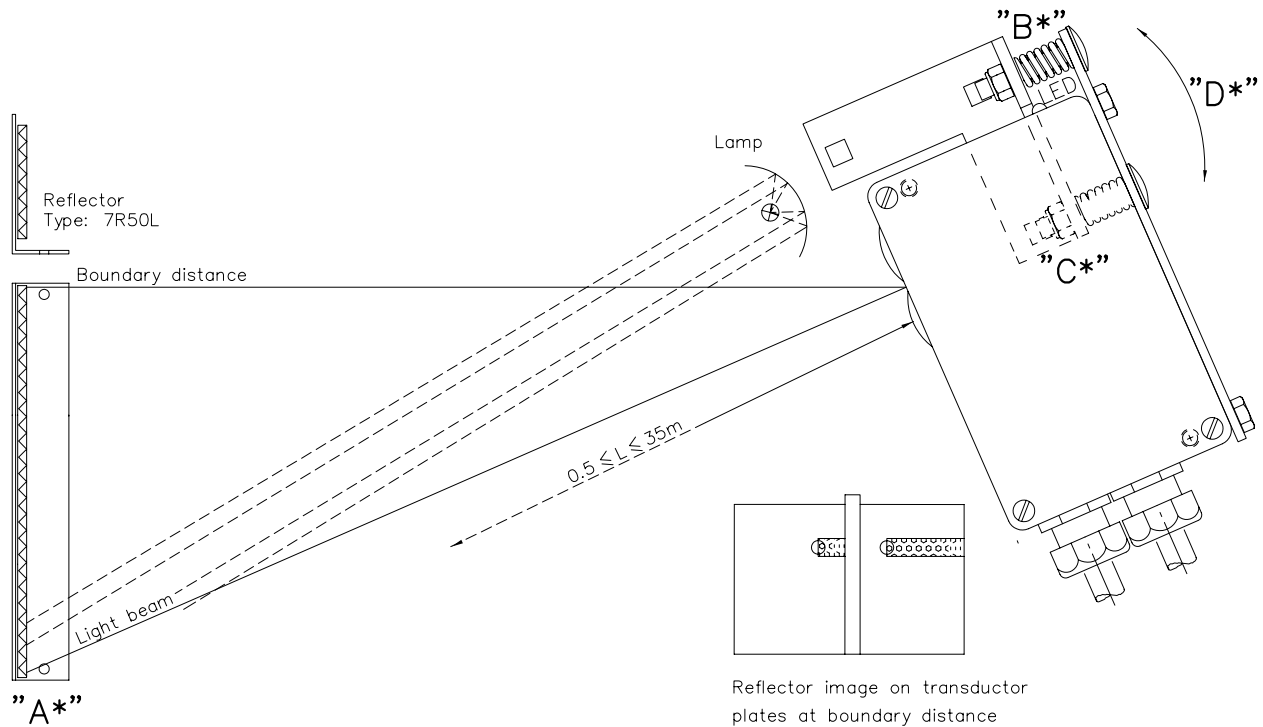


Adjustment Instruction Jx103/3 & Jx104/3 "Crane"



Instructions for setting

The basic position of the light barrier in relation to the crane anti-collision device must be determined as follows:

First, the spring-supported screws must be tensioned so that the springs are pressed together to about 16 mm. The device must be opened. Once the device cover has been unscrewed, it is possible to see the front surface of the transducer benches and detect the two boreholes on them for transmitter and receiver transducers.

Then the cranes are moved together up to the minimum clearance. At the location chosen for assembly the device is placed in such a way that with the help of the lamp the top reflex image appears on the transducer bench. The reflector edge "A" is illuminated from here as illustrated.

The projection of the reflector edge can also be recognised.

After this rough adjustment, the adjustment flange is screwed permanently in this position. Use the regulation screw "B" on the adjustment flange to adjust the light beam precisely in the horizontal position: this is attained once the height of the reflector is centred to the borehole height. A prerequisite for this is having the centre of the optical system at the same height as the centre of the reflector.

The fine adjustment is done now by turning the device with the aid of the regulation screw "C" in the "D" axis to the precise point that the two transducer boreholes cover the reflector edge to an extent that extinguishes the LED. It is essential to secure the device then against unintentional readjustment.

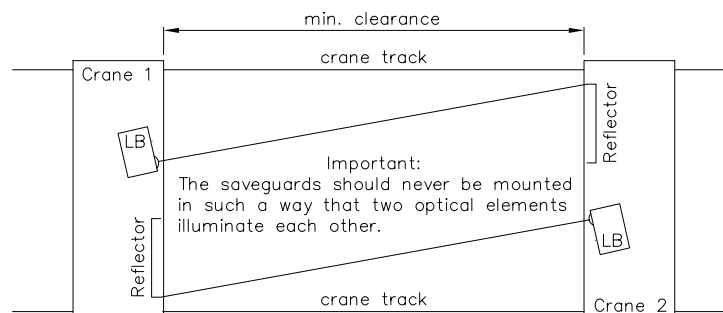
The size of the reflector projections, whether they are larger or smaller, in comparison to the transducer boreholes also, depends on the minimum clearance (and reflector height). Likewise the degree to which the transducer boreholes are covered depends on the distance. The brightness of the reflector projections depends not only on the brightness of the lamp used but also on how closely the lamp is moved to the optical elements.

These parameters do not have any influence on the reliability and quality of the adjustment. Adjust the device located on the opposite crane in the same way.

Caution: Please use the devices with the option "tr" (formerly *07) exclusively as anti-collision devices for cranes.

E_52302.TXT

Functional example:



5230 GE (04.07.02 tb)
E_5230_2 (23.02.05 mji)
(11.03.96 tb) 14.04.05 tb
(28.01.98 tb)