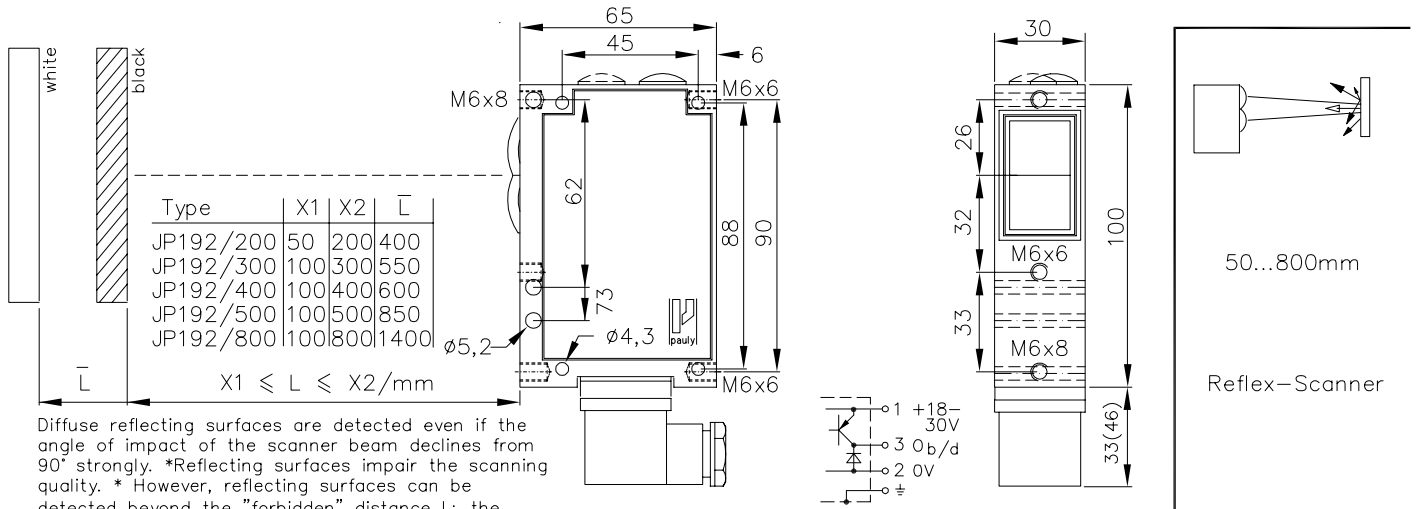


Reflex-Scanner with passive Background Response Suppression

Type JP192/X[mm]



Diffuse reflecting surfaces are detected even if the angle of impact of the scanner beam declines from 90° strongly. *Reflecting surfaces impair the scanning quality. * However, reflecting surfaces can be detected beyond the "forbidden" distance L; the scanner should be mounted in a tilted position.
E_1261 1.TXT

Connecting diagram of standard version:
24VDC, e2, stH4

50...800mm

Reflex-Scanner

JP 192/200
JP 192/300
JP 192/400
JP 192/500
JP 192/800

Order-no.:
1261
1265
1262
1266
1267

Technical Characteristics:

Housing: Al-Cast
Weight: approx. 350g
Protection Mode: IP65
Connection: 3+1 pin Plug stH4
Supply: 24VDC/40mA without load
Output: pnp 60mA s.c.-prot., e2
Signal mode: bright-/darkswitching selectable
Transmitter light: LED 880 invisible
Steady light resist.: >80kLx
Interference Suppressor: forced synchronization
Light beam diameter: approx. 70mm/800mm
Access time: <12ms/switch transition
Switching frequency: 40/s, Relay: 10/s
Switch indicator: LED
Ambient temperatur: -20...+60°C
Amplification adjustable with potentiometer "E"

Options:

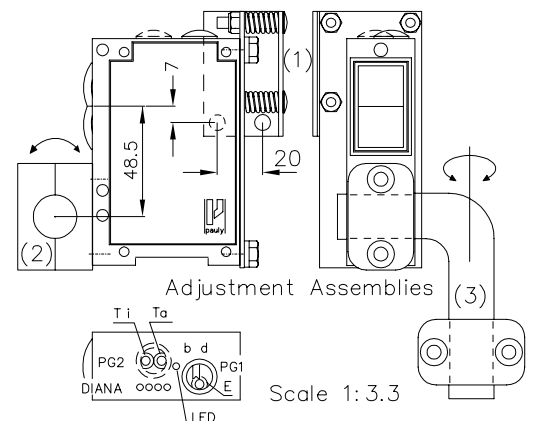
Connection: 4 pin Plug stLU4
4+1 pin Plug stA5
6+1 pin Plug stA7
6+1 pin Plug stH7
3+1 wire no.-cable K4
2x3 wire no.-cable 2K3
Supply: 230V, 115V, 42...48V
24V AC
Output: npn 60mA s.c.-prot., e3
Optocoupler 60V/50mA, e1
Relay 240VAC/5A, 120W/1200VA, 1xCh, R
also: 2xe2/2xe3 or antival. e4/e5
"q": <2ms/switch transition
Switching frequency "q": 300/s, Relay 10/s
Time delay: 0-10s, switching-on-off-delay, separately adjustable, z10
Level indicator: DIANA, i
Heat-protected optical system, pl
If using cooling water flange, then milled wall, y

Accessories:

Diaphragms, special filters
Adjustment flange JF19H (1)
Elbow tube adjustment JR19 (2&3)
Cooling water flange KW19
Heat shield & anti dust tube (K)JT19

Hints:

Selection of bright/dark switching mode is standard. The selection switch can be reached after removing the blanking screw designated 'PG1'. Bright switching means that the output (here the pnp transistor) is operated when the transmitter light is received by the receiver after being reflected by the reflector. The switch indicator LED (green) for the working contact always lights when the output is energised. The on- (Ti) and off- (Ta) delay are optional. Turning the controls behind 'PG2' clockwise increases delay times. The delay time range is between approx. 0 and 10 secs. Other delays are available on request. 1sec, 3secs and 20secs. The level indicator 'DIANA' (Digital ANALog indicator) is optional, too. DIANA shows the level approx. 20 to 25 times above the threshold signal. For proper operation of the light barrier it is not necessary to have all DIANA LEDs on!
E_166x 1.TXT



1261 DE
E_1261 1
(15.02.96 tb)
(15.01.03 gs)