

Appendix "Restart Disabling" to the Operating Instructions for Accident Prevention

Relay control with restart disabling without starting test:

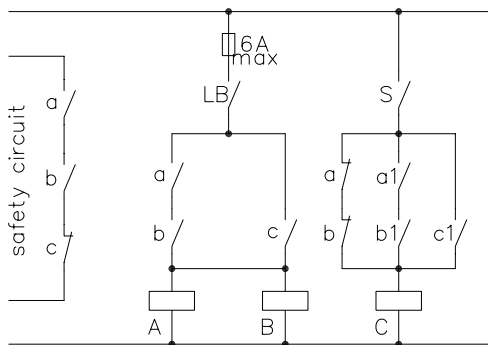


Fig. 1

all relays are
are guided!

Relay:	no	nc
A	3	1
B	3	1
C	2	1

The safety circuit is closed if the make contacts LB of a safety light barrier are closed and the start button S is closed and opened again.

To ensure that S is open after start has occurred so that C can drop out, in order to finally close the safety circuit, the contacts a1, b1 and c1 are provided; a1 and b1 in particular make it necessary for S to be open during an entire working phase.

This switching is suitable for all safety light barriers with monitored LB contacts if a starting test is not necessary (Exception: all light curtain of the types PP1018 and PP1018SE which originally contain a starting test). In case of doubt, a starting test must be carried out manually.

In this case however it is better to use switching in accordance with fig. 2, which is not only suitable for safety light barriers but also for all "testable" light barriers whose transmission signals can be blanked out.

EA 5722 H 3.TXT

Relay control with restart disabling and starting test:

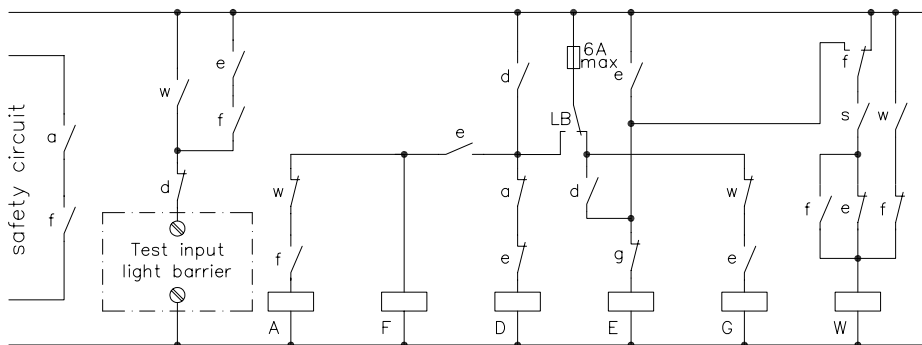


Fig. 2

all relays except
G are guided!

Relay:	no	nc
A	1	1
W	2	2
D	2	1
E	4	2
F	5	2
G	0	1

Description of mode of functioning:

Start:

S ↑ → W ↑ ↑, S ↓ → transmitter ↑ → LB ↑ → D ↑ ↑ → trans. ↓ → LB ↓ → E ↑ ↑ → D ↓ → trans. ↑ → LB ↑ → F ↑ → W ↓ → A ↑

↓ interrupt transmitter
from here on, it can be turned off at any time

↓ starts transmitter again

Interrupt:

Lb ↓ → A, F ↓ → G ↑ → E ↓ → G ↓

↑: Energised
↓: Drops out
↑↑: Latches

5722 HE 2 (21.02.05 m.j)
E_5722 28 2 (23.03.99 tb)
(07.01.04 gs)